

Simulink Release Notes

The “Simulink 5.2 Release Notes” on page 1-1 describe the changes introduced in the latest version of Simulink. The following topics are discussed in these Release Notes:

- “Changes from the Previous Release” on page 1-2

If you are upgrading from a version earlier than Simulink 5.2, you should also see:

- “Simulink 5.1.1 Release Notes” on page 2-1
- “Simulink 5.1 Release Notes” on page 3-1
- “Simulink 5.0.1 Release Notes” on page 4-1
- “Simulink 5.0 Release Notes” on page 5-1
- “Simulink 4.1 Release Notes” on page 6-1
- “Simulink 4.0 Release Notes” on page 7-1

Printing the Release Notes

If you would like to print the Release Notes, you can link to a PDF version.

Simulink 5.2 Release Notes

1

| | |
|--|-----|
| Changes from the Previous Release | 1-2 |
| Changed Source Dialog Box Behavior | 1-2 |
| Affected Blocks | 1-2 |

Simulink 5.1.1 Release Notes

2

| | |
|--|-----|
| New Features | 2-2 |
| Local Control of Execution Context Behavior | 2-2 |
| Major Bug Fixes | 2-3 |
| Incorrect sorted order | 2-3 |
| Upgrading from an Earlier Release | 2-4 |
| Reporting Inaccessible Signals | 2-4 |
| Execution Context Change | 2-4 |
| Known Software and Documentation Problems | 2-5 |

Simulink 5.1 Release Notes

3

| | |
|---|-----|
| New Features | 3-2 |
| Sample Time Parameters Exposed | 3-2 |
| Enhanced Debugger | 3-2 |
| Context-Sensitive Data Typing of Tunable Parameters | 3-5 |
| Conditional Execution Behavior | 3-7 |
| Function-Call Subsystem Enhancements | 3-9 |

| | |
|--|-------------|
| External Increment Option Added To For Iterator Block | 3-10 |
| Performance Improvements | 3-11 |
| Major Bug Fixes | 3-12 |
| Upgrading from an Earlier Release | 3-13 |
| Known Software and Documentation Problems | 3-14 |
| Changing a Subsystem Port Number Can Corrupt a Model . . | 3-14 |
| Model File Names Limited to 1280 Characters | 3-14 |
| Unable to Compile Ada S-Functions with GNAT Ada Compiler More Recent Than Version 3.13p | 3-14 |
| Unable to Specify Additional include Directories When Building Ada S-Functions | 3-15 |
| Deadzone Block Outputs Different Result in Simulation and Code Generation | 3-15 |

Simulink 5.0.1 Release Notes

4

| | |
|---|------------|
| Major Bug Fixes | 4-2 |
| Upgrading from an Earlier Release | 4-3 |
| Backwards Compatibility of Tunable Parameters for Unified Fixed-Point Blocks | 4-3 |
| Known Software and Documentation Problems | 4-6 |

Simulink 5.0 Release Notes

5

| | |
|-------------------------------|------------|
| New Features | 5-2 |
| Block Enhancements | 5-2 |

| | |
|--|-------------|
| Simulation Enhancements | 5-6 |
| Modeling Enhancements | 5-7 |
| Major Bug Fixes | 5-10 |
| Platform Limitations for HP and IBM | 5-11 |
| Upgrading from an Earlier Release | 5-12 |
| BlockInstanceData Function Deprecated | 5-12 |
| Known Software and Documentation Problems | 5-13 |

Simulink 4.1 Release Notes

6

| | |
|---|-------------|
| New Features | 6-2 |
| Simulink Editor | 6-2 |
| Modeling Enhancements | 6-4 |
| Simulink Debugger | 6-7 |
| Block Library | 6-8 |
| Bug Fixes | 6-10 |
| Upgrading from an Earlier Release | 6-12 |
| Running Simulink 4.1 Models in Simulink 4.0 | 6-12 |
| Simulink Block Library Reorganization | 6-12 |
| Direct Feedthrough Compensation Deprecated | 6-12 |
| S-Functions Sorted Like Built-In Blocks | 6-13 |
| Added Latched Triggered Subsystems | 6-13 |
| Self-Triggering Subsystems Are No Longer Allowed | 6-13 |
| Improved Invalid Model Configuration Diagnostics | 6-14 |
| Known Software Problems | 6-15 |
| Accelerator Mode Does Not Support Inline Parameters | 6-15 |
| Turn the New Wrap Lines Option Off | 6-15 |

| | |
|--|-------------|
| New Features | 7-2 |
| Simulink Editor | 7-2 |
| Modeling Enhancements | 7-5 |
| Simulink Debugger | 7-6 |
| Block Library | 7-6 |
| SB2SL | 7-9 |
| | |
| Upgrading from an Earlier Release | 7-10 |
| Port Name Property | 7-10 |

Simulink 5.2 Release Notes

| | |
|--|-----|
| Changes from the Previous Release | 1-2 |
| Changed Source Dialog Box Behavior | 1-2 |
| Affected Blocks. | 1-2 |

Changes from the Previous Release

In this release, Simulink no longer provides the user with the ability to change the values of source block parameters through a dialog box while a simulation is running.

**Changes described in this section reflect Simulink reprogramming implemented to comply with a court decision regarding patent litigation.*

Changed Source Dialog Box Behavior

In this release, opening the dialog box of a source block with tunable parameters causes a running simulation to pause. While the simulation is paused, you can edit the parameter values displayed on the dialog box. However, you must close the dialog box to have the changes take effect and allow the simulation to continue. Similarly, starting a simulation causes any open dialog boxes associated with source blocks with tunable parameters to close.

Since you can no longer change source block parameters while a simulation is running, this release removes the **Apply** button from the dialog boxes of source blocks.

Note In this release, as in previous releases, if you enable the **Inline parameters** option, Simulink does not pause the simulation when you open a source block's dialog box because all of the parameter fields are disabled and can be viewed but cannot be changed.

Affected Blocks

Blocks affected are all source blocks with tunable parameters, including the following blocks.

- Simulink source blocks, including
 - Band-Limited White Noise
 - Chirp Signal
 - Constant
 - Pulse Generator

- Ramp
 - Random Number
 - Repeating Sequence
 - Signal Generator
 - Sine Wave
 - Step
 - Uniform Random Number
 - User-developed masked subsystem blocks that have one or more tunable parameters and one or more output ports, but no input ports.
 - S-Function blocks that have one or more tunable parameters and one or more output ports but no input ports.
 - Source blocks in other MathWorks products, including:
 - CDMA Reference Blockset
 - Communications Blockset
 - Embedded Target for TI C6000™ DSP
 - DSP Blockset
 - Fixed-Point Blockset
 - System Identification Toolbox
 - xPC Target
 - xPC TargetBox™
- See the release notes for each product for a list of that product's source blocks affected by the changes in this release.

Simulink 5.1.1 Release Notes

| | |
|--|------|
| New Features. | 1-2 |
| Local Control of Execution Context Behavior | 1-2 |
| Major Bug Fixes | 1-3 |
| Incorrect sorted order | 1-3 |
| Upgrading from an Earlier Release. | 1-4 |
| Reporting Inaccessible Signals | 1-4 |
| Execution Context Change | 1- 4 |
| Known Software and Documentation Problems | 1-5 |

New Features

This section summarizes changes and enhancements introduced in Simulink 5.1.1. Those features are

Local Control of Execution Context Behavior

This release adds a **Propagate execution context across subsystem boundary** check box to the parameters dialog box of conditionally executed subsystems, e.g., enabled or triggered subsystems. The check box lets you enable (the default) or disable execution context propagation for individual subsystems.

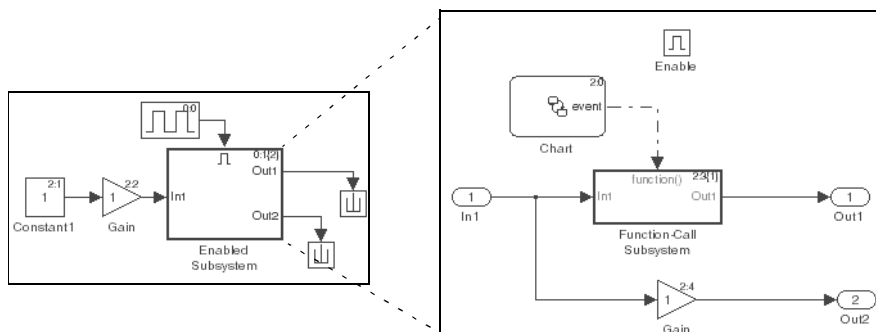
Major Bug Fixes

Simulink 5.1.1 includes several bug fixes made since Version 5.1. This section describes the particularly important Version 5.1.1 bug fixes.

If you are viewing these Release Notes in PDF form, please refer to the HTML form of the Release Notes, using either the Help browser or the MathWorks Web site and use the link provided.

Incorrect sorted order

In the previous release, if blocks connected through the input of a conditionally executed subsystem to the input of an If/Case Action or Function-Call subsystem inherit the execution context of the conditionally executed subsystem, Simulink in some cases orders the blocks incorrectly. In particular, Simulink put the blocks that determine the Function-Call or If/Case Action subsystem's input after the block that activates the Function-Call or If/Case Action subsystem in the model's sorted order. Consider, for example, the following model.



In this example, the previous release of Simulink executed the Stateflow chart that calls the function-call subsystem before it executes the blocks that compute the function-call subsystem's input. In other words, the function-call subsystem runs before its input is ready, which is an error. This release fixes this problem.

Upgrading from an Earlier Release

Note If you are upgrading from a version earlier than 5.1, then you should see “Upgrading from an Earlier Release” on page 3-13 in the Simulink 5.1 Release Notes.

Reporting Inaccessible Signals

In previous releases, Simulink and the Real-Time Workshop reported an error whenever the Floating Scope or a user-written S-function tried to access an inaccessible signal during simulation or code generation. In this release, Simulink displays only a warning if you use the `sim` command to start the simulation. The Real-Time Workshop generates neither a warning nor an error message.

Execution Context Change

In the previous release, a block with a specified sample time could change its execution context. In this release, a block can change its execution context only if its sample time is inherited (`-1`) or constant (`inf`).

Known Software and Documentation Problems

This section describes known software problems in Version 5.1.1.

For a list of bugs reported in the previous release that remain open, see “Known Software and Documentation Problems” on page 3-14.

If you are viewing these Release Notes in PDF form, please refer to the HTML form of the Release Notes, using either the Help browser or the MathWorks Web site and use the link provided.

Simulink 5.1 Release Notes

| | |
|---|----------|
| New Features | 2-2 |
| Sample Time Parameters Exposed | 2-2 |
| Enhanced Debugger | 2-2 |
| Context-Sensitive Data Typing of Tunable Parameters | 2-5 |
| Conditional Execution Behavior | 2-7 |
| Function-Call Subsystem Enhancements | 2-9 |
| External Increment Option Added To For Iterator Block | 2-10 |
| Performance Improvements | 2-11 |
| Major Bug Fixes | 2-12 |
| Upgrading from an Earlier Release | 2-13 |
| Known Software and Documentation Problems | 2-14 |
| Changing a Subsystem Port Number Can Corrupt a Model | 2-14 |
| Model File Names Limited to 1280 Characters | 2-14 |
| Unable to Compile Ada S-Functions with GNAT | |
| Ada Compiler More Recent Than Version 3.13p | 2-14 |
| Unable to Specify Additional include Directories When | |
| Building Ada S-Functions | 2-15 |
| Deadzone Block Outputs Different Result in Simulation and | |
| Code Generation | 2-15 |

New Features

This section summarizes changes and enhancements introduced in Simulink 5.1. Those features are

- “Sample Time Parameters Exposed” (see below)
- “Enhanced Debugger” (see below)
- “Context-Sensitive Data Typing of Tunable Parameters” on page 3-5
- “Conditional Execution Behavior” on page 3-7
- “Function-Call Subsystem Enhancements” on page 3-9

Sample Time Parameters Exposed

Sample time parameters of most Simulink built-in library blocks have been exposed to the user. That is, the sample time parameter of these blocks has been made accessible via the block's dialog box or `set_param`. This means that most nonvirtual blocks in the Simulink library have a user settable sample time parameter. Prior to this exposure, these blocks had an internal inherited sample time with the exception of the Constant block, which had a constant (`inf`) sample time. By providing access to the sample time parameter, you no longer need to use the Signal Specification block to apply a nondefault sample times to these blocks.

Enhanced Debugger

This release includes enhancements to the Simulink debugger that enable you to step through a simulation showing information not visible in previous releases. The enhancements include

- An expanded command set that now enables you to step a simulation method by method. Previous releases showed only output methods.
- An expanded toolbar that gives you push button access to new debugger commands
- A Simulation Loop pane that shows the current state of the simulation at a glance

Note Methods are functions that Simulink uses to solve a model at each time step during the simulation. Blocks are made up of multiple methods. “Block execution” in this documentation is shorthand notation for “block methods execution.” Block diagram execution is a multi-step operation that requires execution of the different block methods in all the blocks in a diagram at various points during the process of solving a model at each time step during simulation, as specified by the simulation loop.

These changes allow you to pinpoint problems in your model with greater accuracy. The following sections briefly describe the debugger enhancements. See the Simulink documentation for a detailed description of the new features and their usage.

Enhanced Debugger Commands

This release enhances the following debugger commands:

- **step**

In previous releases, this command advanced the simulation from the current block Outputs method over any intervening methods to the next block Outputs method. In this release, `step` advances the simulation method by method, or into, over, or out of methods, from the first method executed during the simulation to the last. This allows you to determine the result of executing any model, subsystem, or block method executed during the simulation, including block Outputs, Update, and Derivative methods as well as solver methods.
- **next**

In previous releases, this command advanced the simulation to the first block Outputs method executed during the next time step. In this release, it advances the simulation over the next method to be executed, executing any methods invoked by the next method.
- **break**

In previous releases, this command set a breakpoint at the Outputs method of a specified block. In the current release, it sets a breakpoint at any specified method or on all the methods of a specified block.

- **bafter**

In previous releases, this command set a breakpoint after the Outputs method of a specified block. In this release, it sets a breakpoint after a specified method or after each of the methods of a specified block.

- **minor**

In previous releases, this command enabled or disabled stepping across Outputs methods in minor time steps. In the current release, it enables or disables in minor time steps breakpoints set by block for all methods.

New Debugger Commands

This release introduces the following debugger commands:

- **elist**

Displays the method execution lists for the root system and the nonvirtual subsystems of the model being debugged.

- **etrace**

Causes the debugger to display a message in the MATLAB Command Window every time a method is entered or exited while the simulation is running.

- **where**

Displays the call stack of the method at which the simulation is currently suspended.

Enhanced Debugger Toolbar

The debugger toolbar has been expanded to include buttons for the following versions of the step command: `step into`, `step over`, `step out`, and `step top`.

Simulation Loop Pane

This release adds a **Simulation Loop** pane to the debugger GUI that displays by method the point in the simulation loop at which the simulation is currently suspended. The debugger updates the pane after each `step`, `next`, or `continue` command, enabling you to determine at a glance the point to which the command advanced the simulation. The pane also allows you to set breakpoints on simulation loop methods and to navigate to the block at whose method the simulation is currently suspended.

Sorted List Pane

This release renames the **Block Execution List** pane of the debugger GUI to the **Sorted List** pane to reflect more accurately what the pane contains. The Sorted List pane displays for the root system and each nonvirtual subsystem of the model being debugged a sorted list of the subsystem's blocks. The sorted lists enable you to determine the block IDs of a model's blocks.

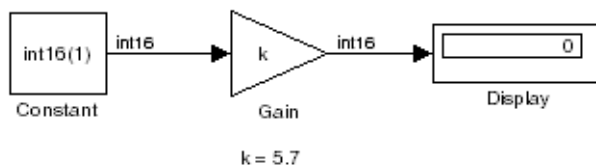
Context-Sensitive Data Typing of Tunable Parameters

In this release, if a model's **Inline parameters** setting is selected, Simulink regards the data type of a tunable parameter as context-sensitive if the data type is not specified. In particular, this release allows the block that uses the parameter to determine the parameter's data type. By contrast, Release 13 regards the type of the parameter to be double regardless of where it is used.

Change in Simulink Behavior

This change affects the behavior of Simulink in two cases. First, in Release 13, if a tunable parameter's data type is unspecified and a block that uses it needs to convert its type from double to another type, Simulink by default stops and displays an error message when you update or simulate the model. The error alerts the user to the fact that the type conversion is a downcast and hence could result in a loss of precision. In this release, by contrast, a typecast never occurs because the block itself determines the appropriate type for the parameter. Hence, in this release, Simulink never generates a downcast error for tunable parameters of unspecified data type.

The following model illustrates the difference in behavior between this release and Release 13 in this case.



Assume that the model's **Inline parameters** setting is selected (thereby making parameters nontunable by default) and the model declares k as a tunable parameter on the **Model Configuration Parameters** dialog box. Also

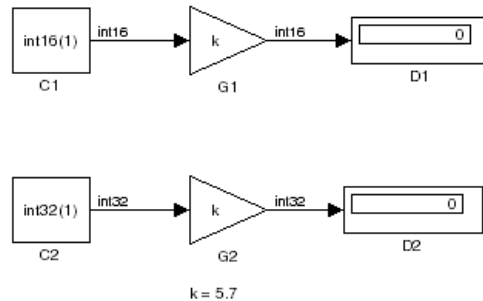
assume that the user has specified the value of `k` on the MATLAB command line as follows:

```
>> k = 5.7
```

In other words, the user has specified a value for `k` but not a data type. In this case, this release regards the type of `k` to be `int16`, the type required by the Gain block to compute its output. By contrast, Release 13 regards the type of `k` to be `double` and hence assumes that the Gain block must downcast `k` to compute its output. Release 13 therefore stops and displays an error message by default in this case when you update or simulate the model.

The behavior of this release also differs from Release 13 in the case where a model uses a tunable parameter of unspecified data type in more than one place in the model and the required data type differs in different places. This case creates a conflict under the assumption that the block in which the parameter is used determines the parameter's data type. This assumption requires Simulink to assign different data types to the same parameter, which is impossible. Therefore, in this release, Simulink signals an error to alert the user to the conflict. By contrast, in Release 13, Simulink does not throw an error because the data type of the parameter is `double` regardless of where it is used. You can avoid the conflicting data types error in Release 13SP1 by specifying the tunable parameter's data type.

The following model illustrates this change in behavior.



The two Gain blocks in this model both use `k`, a tunable parameter of unspecified type, as their gain parameter. Computing the outputs of the blocks requires that the gain parameter be of types `int16` and `int32`, respectively. In Release 13, Simulink regards the data type of `k` to be `double` and the Gain

blocks use typecasts to convert k to the required type in each case. Simulink simulates the model without error (if the parameter `downcasting diagnostic` is set to none or warning). By contrast, this release signals an error because this model requires k to be both type `int16` and `int32`, an impossibility. You can avoid this error by explicitly specifying k 's data type; for example:

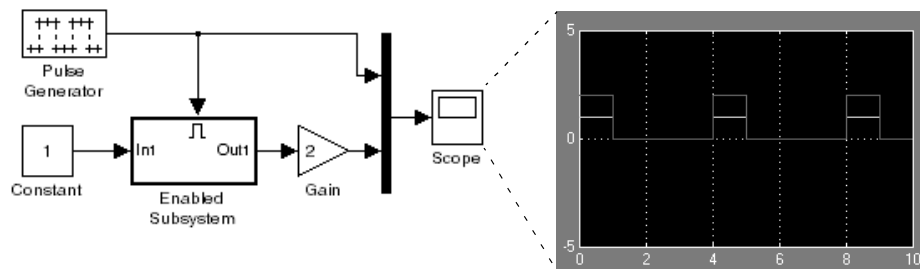
```
k = int16(6);
```

Conditional Execution Behavior

This release augments the conditional input branch behavior of the previous release with a more generalized behavior called *conditional execution (CE)* behavior. The new behavior speeds simulation of models by eliminating unnecessary execution of blocks connected to Switch, Multiport Switch, and conditionally executed blocks.

Note The Simulink documentation has not yet been updated to reflect the new behavior. Consequently, the remainder of this release note provides a detailed explanation of how the behavior works.

As with the conditional input branch behavior available in the previous release, the new behavior ensures that the block methods that make up an input branch of a Switch or Multiport Switch block execute only when the model selects the corresponding switch input. In addition, the new behavior option generalizes this behavior to conditionally executed subsystems. Consider, for example, the following model.



Simulink computes the outputs of the Constant block and Gain Block only when the Enabled Subsystem executes (i.e., at time steps 0, 4, 8, and so on). This is because the output of the Constant block is required and the input of the Gain block changes only when the Enabled Subsystem executes. When CE behavior is off, Simulink computes the outputs of the Constant and Gain blocks at every time step, regardless of whether the outputs are needed or change.

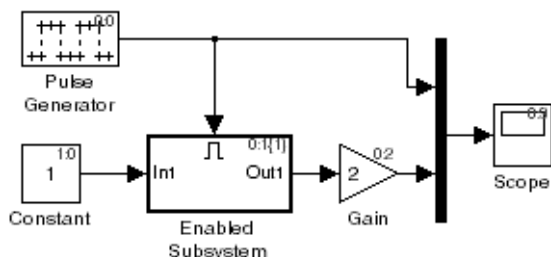
In this example, Simulink regards the Enabled Subsystem as defining an execution context for the Constant and Gain blocks. Although the blocks reside in the model's root system, their block methods are executed as if the blocks reside in the Enabled Subsystem.

In general, Simulink defines an *execution context* as a set of blocks to be executed as a unit. At model compilation time, Simulink associates an execution context with the model's root system and with each of its nonvirtual subsystems. Initially, the execution context of the root system and each nonvirtual subsystem is simply the blocks that it contains. Simulink examines whether a block's output is required only by a conditionally executed subsystem or whether the block's input changes only as a result of the execution of a conditionally executed subsystem. If so, Simulink moves the block into the execution context of the conditionally executed system. This ensures that the block methods are executed during the simulation loop only when the corresponding conditionally executed subsystem executes.

Note This behavior treats the input branches of a Switch or Multiport Switch block as invisible, conditionally executed subsystems, each of which has its own execution context that is enabled only when the switch's control input selects the corresponding data input. As a result, switch branches execute only when selected by switch control inputs.

To determine the execution context to which a block belongs, select **Sorted order** from the model window's **Format** menu. Simulink displays the sorted order index for each block in the model in the upper right corner of its icon. The index has the format *s:b*, where *s* specifies the subsystem to whose execution context the block, *b*, belongs.

Simulink also expands the sorted order index of conditionally executed subsystems to include the system ID of the subsystem itself in curly brackets as illustrated in the following figure.



In this example, the sorted order index of the enabled subsystem is $0:1\{1\}$. The 0 indicates that the enable subsystem resides in the model's root system. The first 1 indicates that the enabled subsystem is the second block on the root system's sorted list (zero-based indexing). The 1 in curly brackets indicates that the system index of the enabled subsystem itself is 1. Thus any block whose system index is 1 belongs to the execution context of the enabled subsystem and hence executes when it does. For example, the constant block's index, $1:0$, indicates that it is the first block on the sorted list of the enabled subsystem, even though it resides in the root system.

Function-Call Subsystem Enhancements

This release adds the following function-call subsystem-related parameters to the Trigger block:

- The **States when enabling** parameter specifies whether a function-call enable trigger causes Simulink to reset the states of the subsystem containing this Trigger block to their initial values.
- The **Sample time type** parameter specifies whether the function-call subsystem containing the Trigger block is invoked periodically.
- The **Sample time** parameter specifies the rate at which the function-call subsystem containing the Trigger block is invoked.

See the Trigger block documentation for additional information.

External Increment Option Added To For Iterator Block

This release adds an external increment option to the For Iterator block. Selecting this option causes the block to display an input port for the external increment. The value of this input port at the current time step is used as the value of the block's iteration variable at the next iteration. You can select this option by checking the **Set next i (iteration variable) externally** option on the block's parameter dialog box or by setting its ExternalIncrement parameter to 'on'. See the documentation for the For Iterator block for more information.

Note This enhancement is not backward compatible with R13. Loading models containing For Iterator blocks with this option selected in R13 produces a warning message. Simulating such models in R13 can produce incorrect results.

Performance Improvements

Release R13SP1 includes many performance improvements that were designed to particularly benefit large models (containing on the order of 100,000 blocks and/or more than a few megabytes of parameter data). Speed has been improved and memory consumption reduced for model loading, compilation, code generation, and closing. The various improvements span the Simulink, Stateflow, and Real-Time Workshop products and include:

- Increased speed and decreased memory consumption through improved incremental loading of library blocks that contain Stateflow blocks.
- Increased speed and decreased memory usage through the introduction of a redesigned Signal Specification block. Models saved with the old version of the Signal Specification block should automatically start using the new block when you load the model with this release.
- Increased speed in datatype and sample time propagation during the compile phase of certain models.
- Increased speed in the Stateflow build process for both simulation and Real-Time Workshop targets.
- Increased speed and decreased memory consumption when using N-D Lookup Table blocks that utilize large parameter data.
- Increased speed and decreased memory usage when generating code with Real-Time Workshop or the Simulink Accelerator for models with large parameter sets. This improvement involves writing out parameter references instead of the entire parameter data into the RTW file for parameters whose size exceeds 10 elements. The parameter values for such references are retrieved directly from Simulink during the code generation process.
- Decreased memory usage during various phases of code generation process in Real-Time Workshop or the Simulink Accelerator.
- Improved speed during model close through streamlining of the close process.

Other minor improvements have also been made to improve performance. Your models should experience corresponding speed and memory improvements, to the extent that these changes apply to your specific models and usage scenarios.

Major Bug Fixes

Simulink 5.1 includes several bug fixes made since Version 5.0.1. This section describes the particularly important Version 5.1 bug fixes.

If you are viewing these Release Notes in PDF form, please refer to the HTML form of the Release Notes, using either the Help browser or the MathWorks Web site and use the link provided.

Upgrading from an Earlier Release

Note If you are upgrading from a version earlier than 5.0.1 (or 5.0.2, which did not significantly differ from 5.0.1), then you should see “Upgrading from an Earlier Release” on page 4-3 in the Simulink 5.0.1 Release Notes.

Known Software and Documentation Problems

This section describes known software problems in Version 5.1.

For a list of bugs reported in the previous release that remain open, see “Known Software and Documentation Problems” on page 4-6.

If you are viewing these Release Notes in PDF form, please refer to the HTML form of the Release Notes, using either the Help browser or the MathWorks Web site and use the link provided.

Changing a Subsystem Port Number Can Corrupt a Model

Changing the number of an input or output port number in a subsystem can cause an extra port to be added to the subsystem block in the parent system.

To fix the problem,

- 1 Copy the contents of the subsystem to the clipboard.
- 2 Delete the old subsystem block.
- 3 Create a new subsystem block in its place.
- 4 Copy the old subsystem contents from the clipboard into the new subsystem.
- 5 Reconnect the subsystem.

Model File Names Limited to 1280 Characters

Model file names, including their complete path names, are limited to a maximum length of 1280 characters. Unpredictable results, up to and including model file corruption, can occur if the name is longer than this limit.

Unable to Compile Ada S-Functions with GNAT Ada Compiler More Recent Than Version 3.13p

This is a known problem in R13SP1. Please follow the instructions in Solution Number 34793 and download the fix.

<http://www.mathworks.com/support/solutions/data/34793.shtml>

Unable to Specify Additional include Directories When Building Ada S-Functions

The command

```
mex -ada -I ./foo adasfcn.ads
```

ignores the `-I ./foo` switch that specifies additional directories to look for source/include files. This is a known limitation in R13SP1. Please follow the instruction in Solution number 34790 to work around this limitation.

<http://www.mathworks.com/support/solutions/data/34790.shtml>

Deadzone Block Outputs Different Result in Simulation and Code Generation

In simulation, the Deadzone block outputs NaN when input is NaN while it outputs 0 in Real-Time Workshop code generation. This bug is planned to be fixed in a future release.

Simulink 5.0.1 Release Notes

| | |
|---|-----|
| Major Bug Fixes | 3-2 |
| Upgrading from an Earlier Release | 3-3 |
| Backwards Compatibility of Tunable Parameters for Unified Fixed-Point Blocks | 3-3 |
| Known Software and Documentation Problems | 3-6 |

Major Bug Fixes

Simulink 5.0.1 includes several bug fixes made since Version 5.0. This section describes the particularly important Version 5.0.1 bug fixes.

If you are viewing these Release Notes in PDF form, please refer to the HTML form of the Release Notes, using either the Help browser or the MathWorks Web site and use the link provided.

If you are upgrading from a release earlier than Release 13, then you should also see “Major Bug Fixes” on page 5-10 of the Simulink 5.0 Release Notes.

Upgrading from an Earlier Release

Below is an upgrade issue involved in upgrading from Simulink 5.0 to Version 5.0.1.

If you are upgrading from a version earlier than 5.0, then you should see “Upgrading from an Earlier Release” on page 5-12 in the Simulink 5.0 Release Notes.

Backwards Compatibility of Tunable Parameters for Unified Fixed-Point Blocks

Unified fixed-point blocks with tunable parameters have compatibility problems under certain conditions in Release 13. The problem arises only if a tunable parameter is mapped to a built-in integer or single data type. When tunable parameters are mapped to built-in integers or single, the code generated by Real Time Workshop will be different for unified blocks than it was for Fixed-Point Blockset blocks in prior releases. There are no compatibility problems if a tunable parameter maps to a nonbuilt-in data type, such as a scaled fixed-point integer.

Tunable parameters are entered in a Simulink model by specifying the name of a MATLAB variable in a block’s dialog. This variable can be either a plain MATLAB variable or a Simulink parameter object. In either case, a numerical value will be defined for this tunable parameter by doing an assignment in MATLAB. MATLAB supports several numerical data types including the eight Simulink built-in numerical data types: double, single, int8, uint8, int16, uint16, int32, and uint32. One of these eight data types can be used when a value is defined for a MATLAB variable. The effect of the data type of the MATLAB variable is significantly different depending on how the tunable parameter is used in Simulink.

For Simulink built-in blocks, the legacy rule is to fully respect the data type used for the value of a MATLAB variable. Whatever data type is used in MATLAB when assigning a value to a variable is also be used when declaring that parameter in code generated by Real Time Workshop. The use of that parameter by a block may require the value to be represented using a different data type. If so, additional code is generated to convert the parameter every time it is used by the block. To get the most efficient code for a given block, the value of the MATLAB variable should use the same data type as is needed by the block.

For Fixed-Point Blockset blocks, the legacy rule is to expect no data type information from the MATLAB variable used for the tunable parameter. A fundamental reason for this is that MATLAB does not have native support for fixed-point data types and scaling, so the Simulink built-in legacy rule could not be directly extended to the general fixed-point case. Many fixed-point blocks automatically determine the data type and scaling for parameters based on what leads to the most efficient implementation of a given block. However, certain blocks such as Constant, as well as blocks that use tunable parameters in multiplication, do not imply a unique best choice for the data type and scaling of the parameter. These blocks have provided separate parameters on their dialogs for entering this information.

In Release 13, many Simulink built-in blocks and Fixed-Point Blockset blocks were unified. The Saturation block is an example of a unified block. The Saturation block appears in both the Simulink Library and in the Fixed-Point Blockset Library, but regardless of where it appears it has identical behavior. This identical unified behavior includes the treatment of tunable parameters. The dissimilarity of the legacy rules for tunable parameters has led to a shortcoming in the unified blocks. Unified blocks obey the Simulink legacy rule sometimes and the Fixed-Point Blockset legacy rule at other times. If the block is using the parameter with built-in Simulink data types, then the Simulink legacy rule applies. If the block is using the parameter with nonbuilt-in data types, such as scaled fixed-point data types, then the Fixed-Point Blockset legacy rule applies. This gives full backwards compatibility with one important exception.

The backwards compatibility issue arises when a model created prior to R13 uses a Fixed-Point Blockset block with a tunable parameter, and the data type used by the block happens to be a built-in data type. If the block is unified, it will now handle the parameter using the Simulink legacy rule rather than the Fixed-Point Blockset legacy rule. This can have a significant impact. For example, suppose the tunable parameter is used in a Saturation block and the data type of the input signal is a built-in `int16`. In prior releases, the Fixed-Point Blockset block would have declared the parameter as an `int16`. For legacy fixed-point models, the MATLAB variables used for tunable parameters invariably gave their value using floating-point `double`. The unified Saturation block would now declare the tunable parameter in the generated code as `double`. This has several negatives. The variable takes up six more bytes of memory as a `double` than as an `int16`. The code for the Saturation block now includes conversions from `double` to `int16` that execute every time the block executes. This increases code size and slows down

execution. If the design was intended for use on a fixed-point processor, the use of floating-point variables and floating-point conversion code is likely to be unacceptable. It should be noted that the numerical behavior of the blocks is not changed even though the generated code is different.

For an individual block, the backwards compatibility issue is easily solved. The solution involves understanding that the Simulink legacy rule is being applied. The Simulink legacy rule preserves the data type used when assigning the value to the MATLAB variable. The problem is that an undesired data type will be used in the generated code. To solve this, you should change the way you assign the value of the tunable parameter. Determine what data type is desired in the generated code, then use an explicit type cast when assigning the value in MATLAB. For example, if `int16` is desired in the generated code and the initial value is 3, then assign the value in MATLAB as `int16(3)`. The generated code will now be as desired.

A preliminary step to solving this issue with tunable parameters is identifying which blocks are affected. In most cases, the treatment of the parameter will involve a downcast from `double` to a smaller data type. On the **Diagnostics** tab of the **Simulation Parameters** dialog is a line item called **Parameter downcast**. Setting this item to **Warning** or **None** will help identify the blocks whose tunable parameters require reassignment of their variables.

In R13, the solution described above did not work for three unified blocks: **Switch**, **Look-Up Table**, and **Lookup Table (2-D)**. These blocks caused errors when the value of a tunable parameter was specified using integer data types. This was a false error and has been removed. Using an explicit type cast when assigning a value to the MATLAB variable now solves the issue of generating code with the desired data types.

Known Software and Documentation Problems

For a list of bugs reported in earlier releases that remain open, see “Known Software and Documentation Problems” on page 5-13 of the Simulink 5.0 Release Notes.

Simulink 5.0 Release Notes

| | |
|--|------|
| New Features | 4-2 |
| Block Enhancements | 4-2 |
| Simulation Enhancements | 4-6 |
| Modeling Enhancements | 4-7 |
| | |
| Major Bug Fixes | 4-10 |
| | |
| Platform Limitations for HP and IBM | 4-11 |
| | |
| Upgrading from an Earlier Release | 4-12 |
| BlockInstanceData Function Deprecated | 4-12 |
| | |
| Known Software and Documentation Problems | 4-13 |

New Features

Note Simulink 5.0 incorporates changes introduced in Simulink 4.1.1, which was initially released in Web-downloadable form after Release 12.1 was released, but before Release 13. These Release Notes describe those changes, as well as other changes introduced after Version 4.1.1.

Simulink 5.0 introduce features and enhancements in the following areas:

- “Block Enhancements” on page 5-2
- “Simulation Enhancements” on page 5-6
- “Modeling Enhancements” on page 5-7

If you are upgrading from a release earlier than Release 12.1, then you should also see “New Features” on page 6-2 in the Simulink 4.1 Release Notes.

Block Enhancements

Simulink 5.0 includes the following block-related enhancements:

- “Fixed-Point Block Library” on page 5-3
- “Look-Up Table Editor” on page 5-3
- “Model Verification Block Library” on page 5-4
- “Signal Builder Block” on page 5-4
- “DocBlock” on page 5-4
- “Rate Transition Block” on page 5-4
- “Block Library Reorganization” on page 5-4
- “Model Linearization Blocks” on page 5-4
- “Data Read/Write Block Navigation” on page 5-5
- “Enhanced S-Function Builder” on page 5-5
- “Miscellaneous Block Enhancements” on page 5-5

Fixed-Point Block Library

Simulink now includes the latest version (4.0) of the Fixed-Point Blockset. The library was previously available only as a separately installed option. You must have a Fixed-Point Blockset license to run models containing fixed-point blocks in fixed-point mode. However, you can open, edit, and run such models in floating-point mode, regardless of whether you have a Fixed-Point Blockset license. This change facilitates sharing of fixed-point models in large organizations by eliminating the need for all users in a group to have a Fixed-Point Blockset license in order to run or modify models containing fixed-point blocks. See “Installation and Licensing” in the Fixed-Point Blockset release notes for information on how to run models containing fixed-point blocks when you do not have a Fixed-Point Blockset license.

This release also unifies many core Simulink and Fixed-Point Blockset blocks that have similar functionality. For example, the Sum block in the Simulink Math Operations library and the Sum block in the Fixed-Point Blockset Math library are now the same block. As a result, you no longer have to replace any of the unified blocks when switching from built-in to fixed-point data types and vice versa. You can change the data types of the blocks simply by selecting the appropriate settings on their parameter dialog boxes. See “Unified Simulink and Fixed-Point Blockset Blocks” in the Fixed-Point Blockset release notes for more information and for a list of blocks that this release unifies.

Note When you open an existing model, Simulink 5.0 updates the model to use the unified version of a standard or Fixed-Point Blockset block wherever an instance of that block occurs in the model. Simulink sets the parameters of the unified block to preserve the behavior of the original block. For example, wherever your existing model contains a Sum block from the Fixed-Point Blockset library, Simulink replaces the Fixed-Point Blockset version with a unified Sum block set to operate as a fixed-point block. This automatic updating ensures that your existing model runs the same in Simulink 5.0 as it did in previous releases of Simulink.

Look-Up Table Editor

The Look-Up Table Editor allows you to find and edit the contents of look-up tables used by look-up table blocks. See “Look-Up Table Editor” in the online Simulink documentation for more information.

Model Verification Block Library

Simulink now includes a library of model verification blocks that enable you to create self-validating models. For example, you can use the blocks to test that signals do not exceed specified limits during simulation. When you are satisfied that a model is correct, you can turn error-checking off by disabling the model verification blocks. You do not have to physically remove them from the model. The library includes set of blocks preconfigured to check for common types of errors, for example, signals that exceed a specified upper or lower bound. See “Model Verification” in the online Simulink documentation for more information.

Signal Builder Block

The new Signal Builder block allows you to create interchangeable groups of signal sources and quickly switch the groups into and out of a model. The Signal Builder block’s signal editor allows you to define the waveforms of the signals output by the block. You can specify any waveform that is piecewise linear. Signal groups can greatly facilitate testing a model, especially when used in conjunction with Simulink assertion blocks and the optional Model Coverage Tool. See “Working with Signal Groups” for more information.

DocBlock

The new DocBlock block allows you to create text that documents a model and save that text with the model.

Rate Transition Block

Simulink now includes a Rate Transition block that allows you to specify the data transfer mechanism between two rates of a multirate system. See Rate Transition in the online Simulink block reference for more information.

Block Library Reorganization

The Simulink Block Library has been reorganized to simplify accessing blocks with related functionality. See for more information.

Model Linearization Blocks

This release introduces two blocks that generate linear models from a Simulink model at various times during a simulation. The Time-Based Linearization block generates linear models at specified time steps. The Trigger-Based

Linearization block generates models when triggered by events appearing at its trigger port.

Data Read/Write Block Navigation

To come

Enhanced S-Function Builder

The S-Function Builder has been enhanced to generate S-functions with the following additional capabilities

- Multiple ports
- Support for all builtin datatypes
- Support for 2-D signals
- Support for complex signals

See “Building S-Functions Automatically” for more information.

Miscellaneous Block Enhancements

This release introduces the following enhancements to Simulink blocks.

Math Function Block. This release significantly speeds up the simulation of the Math Function block’s exponential math functions. All functions now support both double- and single-precision floating-point inputs and outputs. The mod and rem functions also support inputs and outputs of all integer types. The transpose and hermitian functions support all data types. When optimizations are enabled, the conjugate operation on a real signal invokes the block reduction optimization, as that case is a no-op. In-place multiplies for the magnitude² operation are used for reused block I/O on real signals.

Gain Block . The Gain block now performs block reduction when block reduction is on, inline parameters=ON, and the gain is both nontunable and unity.

Width Block . The Width block now includes a parameter to specify the datatype of the output.

Real Data Type Support. The following blocks now operate on both double precision and single precision floating point signals:

- Dot Product

- Trigonometric
- Matrix Inversion

Block Data Type Table

To view a table that summarizes the data types supported by the blocks in the Simulink and Fixed-Point block libraries, execute the following command at the MATLAB command line:

```
showblockdatatypetable
```

Simulation Enhancements

Simulink 5.0 includes the following new features and enhancements to simulation of Simulink models.

- “Invalid Loop Highlighting” on page 5-6
- “Algebraic Loop Highlighting” on page 5-6
- “Conditional Input Branch Execution” on page 5-7
- “Reorganized Simulation Diagnostics” on page 5-7
- “Enhanced Diagnostic Viewer” on page 5-7

Invalid Loop Highlighting

Simulink now detects and highlights several kinds of invalid loops:

- Loops that create invalid function-call connections or an attempt to modify the input/output arguments of a function call
- Loops containing non-latched triggered subsystems
- Self-triggering subsystems
- Loops containing action subsystems in a cycle

This makes it easier to identify and fix the loop. See “Avoiding Invalid Loops” for more information.

Algebraic Loop Highlighting

Simulink now optionally highlights algebraic loops when you update or simulate a model. See “Highlighting Algebraic Loops” for more information. The `ashow` debug command without any arguments now lists all of a model’s algebraic loops in the MATLAB command window.

Conditional Input Branch Execution

This release introduces a new optimization called conditional input branch execution. Previously, when simulating models containing Switch or Multiport Switch blocks, Simulink executed all blocks required to compute all inputs to each switch at each time step. In this release, Simulink, by default, executes only the blocks required to compute the control input and the data input selected by the control input at each time step. Similarly, code generated from the model by Real-Time Workshop executes only the code needed to compute the control input and the selected data input. This optimization speeds simulation and execution of code generated from the model. See “Optimizations” for more information.

Reorganized Simulation Diagnostics

The **Diagnostics Pane** of the **Simulation Parameters** dialog box now groups diagnostics by functionality. This makes it easier to find and configure related diagnostics.

Enhanced Diagnostic Viewer

This release introduces an enhanced Diagnostic Viewer. Improvements include

- Identical appearance on UNIX and Windows
- Hyperlinks to Simulink, Stateflow, and Real-Time Workshop objects that caused the errors displayed in the viewer
- Sortable error list
Clicking a column head sorts the error list by the contents of that column.

- Configurable content

The **View** menu allows you to choose which information to display in the viewer.

- Selectable font size

The **FontSize** menu allows you to choose the size of the font used to display error messages.

See “Simulation Diagnostic Viewer” for more information.

Modeling Enhancements

The following enhancements facilitate creation of Simulink models.

- “Enhanced Mask Editor” on page 5-8
- “Production Hardware Characteristics” on page 5-8
- “Including Symbols and Greek Letters in Block Diagrams” on page 5-8
- “True Color Support” on page 5-9
- “Print Details” on page 5-9
- “Boolean Logic Signals” on page 5-9
- “Model Discretizer” on page 5-9

Enhanced Mask Editor

This release introduces changes to the Mask Editor designed to improve usability. Changes include

- Block parameter information moves from the **Initialization** pane to a new pane entitled **Parameters**.
- The **Parameters** pane allows you to specify a callback function to be called when the value of a parameter changes.
- The **Parameters** pane allows you to specify via check boxes whether a parameter is visible on the masked block’s dialog box and whether a parameter is tunable.
- The **Icon** pane provides a list of examples of all the types of drawing commands that can be used to draw the block’s icon.

See “Creating Masked Subsystems” in the online Simulink documentation for more information.

Including Symbols and Greek Letters in Block Diagrams

This release allows you to include symbols, Greek letters, and other formatting in annotations, masked subsystem port labels, and masked subsystem icon text. You do this by including TeX formatting commands in the annotation, port label, or icon text.

Production Hardware Characteristics

Production hardware characteristics is a new setting on the **Advanced** pane of the **Simulation parameters** dialog box. This setting, intended for use in modeling, simulating, and generating code for digital systems, allows you to specify the sizes of the data types supported by the system being modeled.

Simulink uses this information to automate the choice of data types for signals output by some blocks. See “The Advanced Pane” for more information.

True Color Support

This release allows you to use any color supported by your system as the foreground or background colors of a block diagram. See “Specifying Block Diagram Colors” in the online documentation for more information.

Print Details

This command generates an HTML report detailing the contents of the currently selected model (see “Generating a Model Report” in the online documentation for more information).

Boolean Logic Signals

In previous releases, the Boolean logic signals optimization was off by default for new models (see “Optimizations” in the online Simulink documentation for a description of this option). In the current release, the optimization is on by default for new models. This change does not affect existing models.

Model Discretizer

The Model Discretizer tool selectively replaces continuous Simulink blocks with discrete equivalents. Discretization is critical in digital controller design for dynamic systems and for hardware in the loop simulations. You can use this tool to prepare continuous models for use with the Real-Time Workshop Embedded Coder, which supports only discrete blocks. See “Model Discretizer” in the online documentation for more information.

Major Bug Fixes

Simulink 5.0 includes several bug fixes made since Version 4.1. This section describes the particularly important Version 5.0 bug fixes.

If you are viewing these Release Notes in PDF form, please refer to the HTML form of the Release Notes, using either the Help browser or the MathWorks Web site and use the link provided.

If you are upgrading from a release earlier than Release 12.1, then you should also see “Bug Fixes” on page 6-10.

Platform Limitations for HP and IBM

The following are platform limitations for Simulink 5.0 for the HP and IBM platforms that are new limitations, as of Version 5.0.

- New version of the Mask Editor
- New version of the Diagnostic Viewer
- The Model Discretizer

Note The Release 12 and 12.1 platform limitations for Simulink for the HP and IBM platforms still apply to Release 13. These are listed below.

The following Java-dependent Simulink features, introduced in Simulink 4.1, are *not* available on the HP and IBM platforms.

- Simulink Data Class Designer
- S-Function Builder
- Look-Up Table Editor

In addition, the following Simulink features are not supported on the HP and IBM platforms:

- Simulink Editor's **Find** dialog
Use the `find_system` command instead.
- GUI interface to the Simulink Debugger
Use the command-line interface instead.
- The **View Changes** dialog box for modified library links
Instead, select the modified link and execute
`ld=get_param(gcf, 'LinkData')` to get a structure that lists the parameter differences between the library and local instance of the block. Edit this structure and execute `set_param(gcf, 'LinkData', ld)` to apply the changes.
- **Parameter** dialog for the Configurable Subsystem block.
Use the `set_param` command instead to set the block's parameters.
- Model Discretizer

Upgrading from an Earlier Release

This section describes an upgrade issue involved in moving from Simulink 4.1 to Version 5.0.

If you are upgrading from a version earlier than 4.1, then you should see “Upgrading from an Earlier Release” on page 6-12 in the Simulink 4.1 Release Notes.

BlockInstanceData Function Deprecated

S-functions should no longer call the `BlockInstanceData` function. All data used by a block should be declared using data type work vectors (e.g., `DWORK`).

Known Software and Documentation Problems

This section includes a link to a description of known software and documentation problems in Version 5.0.

If you are viewing these Release Notes in PDF form, please refer to the HTML form of the Release Notes, using either the Help browser or the MathWorks Web site and use the link provided.

For a list of bugs reported in the previous release that remain open, see “Known Software Problems” on page 6-15.

Simulink 4.1 Release Notes

| | |
|---|----------|
| New Features | 5-2 |
| Simulink Editor | 5-2 |
| Modeling Enhancements | 5-4 |
| Simulink Debugger | 5-7 |
| Block Library | 5-8 |
| Bug Fixes | 5-10 |
| Upgrading from an Earlier Release | 5-12 |
| Running Simulink 4.1 Models in Simulink 4.0 | 5-12 |
| Simulink Block Library Reorganization | 5-12 |
| Direct Feedthrough Compensation Deprecated | 5-12 |
| S-Functions Sorted Like Built-In Blocks | 5-13 |
| Added Latched Triggered Subsystems | 5-13 |
| Self-Triggering Subsystems Are No Longer Allowed | 5-13 |
| Improved Invalid Model Configuration Diagnostics | 5-14 |
| Known Software Problems | 5-15 |
| Accelerator Mode Does Not Support Inline Parameters | 5-15 |
| Turn the New Wrap Lines Option Off | 5-15 |

New Features

This section introduces the new features and enhancements added in Simulink 4.1 since Simulink 4.0 (Release 12.0).

For information about Simulink features that are incorporated from recent releases, see “New Features” on page 7-2 in the Simulink 4.0 Release Notes.

This section about new Simulink features is organized into the following subsections:

- “Simulink Editor” on page 6-2
- “Modeling Enhancements” on page 6-4
- “Simulink Debugger” on page 6-7
- “Block Library” on page 6-8

Simulink Editor

This section describes enhancements to the Simulink Editor.

Undo Move

In Simulink 4.1, the **Undo** command on the Simulink **Edit** menu restores blocks, annotations, lines, and nodes that have moved to their original locations (see “Undoing a Command” in Using Simulink).

Undo Subsystem Creation

In Simulink 4.1, the **Undo** command on the Simulink **Edit** menu restores blocks that have been grouped into a subsystem to their original level in the model (see “Undoing Subsystem Creation” in Using Simulink).

Autoconnecting Blocks

This version makes connecting blocks significantly easier. To connect a set of source blocks to a target block, simply select the source blocks, hold down the **Ctrl** key and left-click the target block. Simulink draws connecting lines between the source blocks and the destination block, neatly routing lines around intervening blocks. To connect a source block to a set of target blocks, select the target blocks, hold down the **Ctrl** key and left-click the source block. To connect two blocks, select the source block, and left-click the destination block while holding down the **Ctrl** key. Simulink connects as many ports on the two blocks as possible (see “Autoconnecting Blocks” in *Using Simulink*).

Autorouting Signal Lines

Simulink now routes signal lines around intervening blocks when you connect them either interactively (by dragging the connecting lines or using autoconnect) or programmatically via the `add_line` command's new 'autorouting' option (see “Autorouting Option Added to `add_line` Command” on page 6-4).

Displaying Storage Class on Lines

This version adds an item to the **Format** menu, which toggles the display of (nonAuto) storage class on signal lines (see “RTW Storage Class” in *Using Simulink* for more information).

Save Models in Release 11 Format

This release can save post-Release 11 models in Release 11 format. Simulink 3 (Release 11) can load and run converted models that do not use any post-Release 11 features of Simulink. Simulink 3 can load converted models that use post-Release 11 features but may not be able to simulate the model correctly. Use the **Save as** option from the Simulink **File** menu or the following command to save a model in Release 11 format.

```
s1saveas(SYS)
```

See “Saving a Model in Simulink 3 (R11) format” in *Using Simulink* for more information.

Modeling Enhancements

This section describes enhancements to Simulink dynamic system modeling tools.

Autorouting Option Added to `add_line` Command

The `add_line` command now optionally routes lines around intervening blocks and annotations. For example, the following command autoroutes a connection between two blocks in the `vdp` model.

```
add_line('vdp','Product/1','Mu/1','autorouting','on')
```

The autorouting option is off by default. See `add_line` in *Using Simulink* for more information.

S-Function Builder

The S-Function Builder generates an S-function from specifications that you enter in a dialog box. It provides an easy way for you to incorporate existing code into a Simulink model.

`add_param`, `delete_param`

With this version, you can add custom parameters to your block diagrams.

```
add_param('modelName','MyParameterName','value')
delete_param('modelName','MyParameterName')
```

You can also use the model handle in place of the model name. See `add_param` and `delete_param` in *Using Simulink* for more information.

Connection Callbacks

With this version, you can use `set_param` to set callbacks on ports that are triggered by changes in the ports' connectivity. The callback function parameter is named `ConnectionCallback`. When the port's connectivity changes (addition/deletion of line connected to the port, connection of new block to the port, etc.), Simulink invokes the callback function with the port handle as its argument. See "Port Callback Parameters" in *Using Simulink* for more information.

Saving Block User Data in Model Files

This version adds a new block parameter, named `UserDataPersistent`, that is off by default. Setting this parameter on, e.g.,

```
set_param(block-name, 'UserDataPersistent', 'on')
```

causes Simulink to include a block's user data (i.e., the value of the block's `UserData` parameter) in the model file when you save a model. Simulink encodes the user data as ASCII characters and saves the encoded data in a new section of the model file called `MatData`. This mechanism works with all forms of MATLAB data, including arrays, structures, objects, and Simulink data objects. See “Associating User Data with Blocks” in *Using Simulink* for more information.

Absolute Tolerance Enhancements

This version adds a dialog item for setting the absolute tolerance for each state in the State-Space block, the Transfer Fcn block, and the Zero-Pole block. With this enhancement, you can now specify the absolute tolerance for solving every continuous state in your model.

Block Reduction Enhancements

S-functions may now request that they be eliminated from the compiled model. To do this, call `ssSetBlockReduction(true)` inside the S-function. This is an advanced feature provided for customers writing S-functions who want to optimize the generated code produced for their S-function. Graphical connectivity is now remapped during block reduction, eliminating a source of error during reduction (e.g., a memory reference error used to occur if Simulink eliminated a block connected to a scope). Block reduction is now on by default, and a Simulink preference has been added for the option.

Boolean Logic Signals Preference

The Simulink Preferences dialog box now allows you to specify the use of Boolean logic signals by default. See “Setting Simulink Preferences” in *Using Simulink* for more information.

Subsystem Semantics Demos

Typing `s1_subsys_semantics` at the MATLAB prompt now displays a set of models that illustrate the semantics of various types of subsystem blocks. The demos include formal definitions of function-call subsystems.

Enhanced Engine Model Demos

The top and bottom dead center detection in the engine and enginewc demo models now use a reset integrator. In previous versions, the models used a triggered subsystem to detect angular position. This method resulted in inefficiencies and a slower, less accurate solution. In addition, self-triggering subsystems are now illegal in Simulink.

Setting Block Sorting Priority on Virtual Subsystems

In Simulink 4.0, it was an error to specify a priority on a virtual subsystem. In Simulink 4.1, you can specify priorities on virtual subsystems.

Using ~ in Filenames on UNIX

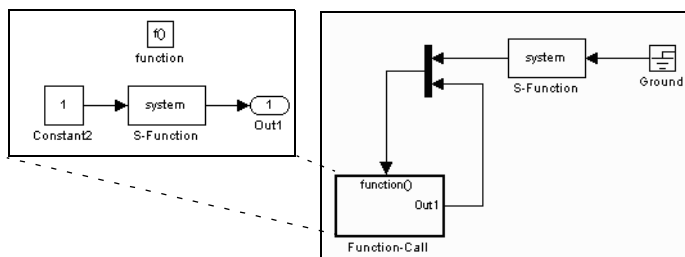
Now all filename fields in Simulink support the mapping of the ~ character in filenames. For example, in a To File block, you can specify ~/outdir/file.mat. On most systems, this will expand to /home/\$USER/outdir/file.mat.

Improved Warning About Slow Signals Feeding the Enable Port of an Enabled Subsystem Containing Fast Blocks

In a multitasking environment, deterministic results cannot be guaranteed if a slow signal feeds the enable port of an enabled subsystem that contains fast blocks. In previous versions, Simulink did not issue a warning in some cases where this may occur.

Flagging Function-Call Subsystem Cycles

In previous versions, Simulink allowed you to build models containing function-call-cycles, i.e., function-call subsystems that directly or indirectly call themselves.



Such models cannot be correctly simulated. Accordingly, Simulink now displays an error message when you attempt to run or update a diagram containing function-call cycles.

Simulink Debugger

This section describes enhancements to the Simulink debugger.

Enhancement to Sorted List Display

The Simulink debugger (`sldebug`) sorted list command, `slist`, now displays the names of the S-functions residing inside S-function blocks.

Improved Messages in Accelerated Mode

The `trace`, `break`, `zcbreak`, `nanbreak`, and `minor` commands now indicate that they are disabled when in accelerator mode and you need to switch to normal mode to activate them. The spacing of several messages has been fixed so the text aligns correctly.

Breakpoints on a Function-Call Subsystem

You can now put a break point on a function-call subsystem. Simulink breaks when the subsystem is executed. In Release 12, entering the `quit` command while at a breakpoint within a function-call subsystem wouldn't always quit the debugger. Now the `quit` command ends the debugging session once the initiating (calling) Stateflow chart or S-function finishes executing its time step.

Displaying and Probing Virtual Blocks

The `display` and `probe` commands now work for virtual blocks.

Stepping Stateflow Charts

You can now step execution of a model into a Stateflow chart.

Block Library

This section describes enhancements to the Simulink block libraries.

Unified Pulse Generator

This version merges the Discrete Pulse Generator block into the Pulse Generator block. The combined block has two modes: time-based and sample-based (discrete). Time-based mode varies the step size when a variable step solver is being used to ensure that simulation steps occur at pulse on/off transitions. When a fixed step solver is used, the time-based mode computes a fixed step size that ensures that a simulation step occurs at every pulse transition. The Pulse Generator block also outputs a pulse of any real data type in sample-based as well as time-based mode.

Control Flow Blocks

Simulink 4.1 adds an If block and Switch Case block that can drive conditionally executed subsystems that contain instances of the new Action Port block. Action subsystems are similar to enabled subsystems, except that all blocks must run at the same rate as the If or Switch Case block.

This version also adds a For Iterator block and a While Iterator block. When placed in a subsystem, these blocks cause all of the blocks in the system to run multiple cycles during a time step. The block cycle in a For Iterator subsystem runs a specified number of times. The block cycle in a While Iterator subsystem runs until a specified condition is false. A user can limit execution of a While Iterator subsystem to a specified number of iterations to avoid infinite loops.

The new Assignment block allows a model to assign values to specified elements of a signal.

Bus Creator

Simulink 4.1 adds a Bus Creator block that combines the output of multiple blocks into a single signal bus. A model can use the existing Signal Selector block to extract signals from the bus. The block's dialog box allows you to assign names to signals on the bus or allow the signals to inherit their names from their sources. When you double-click on a signal name in the block dialog, the source block is highlighted. There is no execution overhead in the use of bus creator/bus selector blocks.

Sine Wave Block Enhancements

The Sine Wave block now supports a bias factor that eliminates the need to sum with a Constant block. The Sine Wave block also has a new computational mode. This mode (called sample-based) eliminates the dependence on absolute time.

Enhanced Flip-Flop Blocks

Simulink Extras (`simulink_extras.mdl`) contains a set flip-flop blocks. These blocks now use the new triggered subsystem latching semantics. In addition, the S-R Flip-Flop block now models a physical NOR gate (i.e., $S=1, R=1 \Rightarrow Q=0, Q!=0$, the undefined state).

Additional Data Type Support

The Discrete-Time Integrator and Rounding Function blocks now handle single as well as double values. The Transport Delay, Unit Delay, Variable Transport Delay, Memory, Merge, and Output blocks can specify nonzero initial conditions when operating on fixed-point signals.

Simulink Block Library Reorganization

The Simulink Block Library contains a new Subsystems sublibrary. The new library contains most of the new control flow blocks as well as subsystem and subsystem-related blocks that used to reside in the Signals & Systems library. The subsystems in the new library each contain the minimum set of blocks needed to create a functioning subsystem, e.g., an input port and an output port.

Scope Enhancements

The Scope block includes the following enhancements:

- A floating version of the Scope added to the Sinks block library
- Floating Scope saves the signals selected for display in the model file
- The Scope's toolbar buttons for toggling between floating/nonfloating mode, restoring saved axes, locking/unlocking axes, and displaying the **Signal Selector**

Bug Fixes

This section lists fixes to bugs that occurred in the previous version of Simulink.

- Variable sample time S-functions
Simulink no longer crashes when an S-function with variable sample time is placed in an atomic subsystem.
- Bus selector detection of duplicated names
A bug related to the detection of a duplicated name in a bus that was feeding a Bus Selector block was fixed.
- Optimize block memory use
In Simulink 4.0, the Continuous and Discrete Transfer Function blocks and the Discrete Filter block used more memory than they needed to, particularly for the case of many poles. They now use an optimal amount of memory.
- Miscellaneous fixes to the model loader
Miscellaneous bug fixes have been performed on the model loader:
 - The loader and saver now retain any comment lines (i.e., lines that begin with #) that are found at the top of the model file.
 - The loader does not crash on Windows NT when file sizes are integer multiples of 4096.
 - The loader does not hang on corrupt models in which blocks with duplicate names are found.
- Profiler fixes
The Simulink profiler now saves its files in the temporary directory. See the MATLAB command `tempdir`. The help was also updated.
- Chirp block fix
The Chirp block now sweeps through frequencies correctly from the initial frequency at the simulation start time to the target frequency at the target time.
- Function-call subsystem bug fixes
This version fixes several bugs related to the execution orders of function-call subsystems.

- **Sorting bug fix**

Previous versions incorrectly computed the direct feedthrough setting for nonvirtual subsystems in triggered/function-call subsystems. This resulted in incorrect execution (sorting) orders. Now all nonvirtual subsystems within triggered subsystems have their direct feedthrough (needs input) flags set for all input ports. This is needed because a nonvirtual subsystem with a triggered sample time executes both its output and update methods together within the context of the model's output method.

- **Fixed handling of grounded/unconnected inputs feeding certain blocks**

Simulink 4.0 incorrectly handled grounded or unconnected inputs to level-1 and level-2 S-functions requiring contiguous inputs and to some Matrix blocks. This has been fixed in Simulink 4.1.

Upgrading from an Earlier Release

This section discusses upgrade issues in moving from Simulink 4.0 to Simulink 4.1.

See “Upgrading from an Earlier Release” on page 7-10 in the Simulink 4.0 Release Notes for upgrade issues involved in moving from Simulink 3.0 (Release 11.0) to Simulink 4.1.

Running Simulink 4.1 Models in Simulink 4.0

Simulink 4.0 can run models created or saved by Simulink 4.1 as long as the models do not use features introduced in the new version, including new block types and block parameters. In particular, you should not attempt to use Simulink 4.0 to simulate or even open models that use the new Simulink control flow blocks. Opening such models cause Simulink 4.0 to crash.

Simulink Block Library Reorganization

The Simulink Block Library contains a new Subsystems sublibrary. The new library contains most of the new control flow blocks as well as subsystem and subsystem-related blocks that used to reside in the Signals & Systems library. The subsystems in the new library each contain the minimum set of blocks needed to create a functioning subsystem, e.g., an input port and an output port.

Direct Feedthrough Compensation Deprecated

If an S-function needs the current value of its input to compute its output, it must set its direct feedthrough flag to true. Previously, if a direct feedthrough S-function failed to do this, Simulink tried to provide a valid signal to the S-function’s `mdlOutput` (M-file `flag=3`) or `mdlGetTimeOfNextVarHit` (M-file `flag=4`) methods. This special compensation mode for S-functions was flawed. For this reason, the current version deprecates the mode, though making it available as an option. In this version, by default, if an S-function sets its direct feedthrough flag to false during initialization, Simulink sets the S-function’s input signal to NULL (or a NaN signal for M-file S-functions) during the `mdlOutput` or `mdlGetTimeOfNextVarHit` methods. Thus, in this version, models with S-function(s) may produce segmentation violations. See `matlabroot/simulink/src/sfuntmpl_directfeed.txt` for more information.

S-Functions Sorted Like Built-In Blocks

When sorting blocks, Simulink now treats S-function blocks the way it treats built-in blocks. This means that S-functions now work correctly in nonvirtual subsystems when there is a direct feedback connection (in Simulink 4.0 and prior, this wasn't the case). It also means that models compile (update diagram) faster. As a side effect, the execution order for S-functions that incorrectly set the direct feedthrough flag differs from that used in previous versions of Simulink. Consequently, models that contain invalid S-functions may produce different answers in this version of Simulink.

Added Latched Triggered Subsystems

Now triggered subsystems enable you to implement software triggering, hardware triggering, or a combination of the two. Software triggering is defined as

```
if (trigger_signal_edge_detected) {
    out(t) = f(in(t));
}
```

Hardware triggering is defined as

```
if (trigger_signal_edge_detected) {
    out(t) = f(in(t-h)); // h == last step size
}
```

Previous to this version, triggered subsystems provided software triggering and a form of hardware triggering when a cycle involving triggered subsystems existed. Now, you must explicitly specify whether or not you'd like software or hardware triggering. This is done by selecting 'Latch (buffer) input' on the Inport blocks in a triggered subsystem.

Each input port of a triggered subsystem configures whether or not the input should be latched. A latched input provides the hardware-triggering semantics for that input port. Type `sl_subsys_semantics` at the MATLAB prompt for more information.

Self-Triggering Subsystems Are No Longer Allowed

Before this version, you could define the output of a triggered subsystem to directly feed back into the trigger port of the subsystem (with potentially other

additive signals). This resulted in an implicit delay. Now you must explicitly define the delay by inserting a memory block.

Improved Invalid Model Configuration Diagnostics

This version of Simulink does a better job of detecting and flagging invalid modeling constructs in Simulink models. Consequently models that ran in previous versions of Simulink (sometimes producing incorrect results) may not run in the current release. The changes include:

- Direct feedthrough compensation no longer occurs by default for S-functions (see “Direct Feedthrough Compensation Deprecated” on page 6-12).
- S-functions are now sorted like built-in blocks (see “S-Functions Sorted Like Built-In Blocks” on page 6-13).
- Simulink no longer inserts implicit latches in triggered subsystems that directly or indirectly trigger themselves (see “Self-Triggering Subsystems Are No Longer Allowed” on page 6-13, above). Instead it signals an error when it detects a triggered subsystem loop with unlatched inputs. To avoid the error, you must select the **Latch** option on the triggered subsystem’s input ports.
- Simulink now signals an error when it detects invalid configurations of function-call subsystems. See the Subsystem Examples block in the Subsystems library for examples of illegal modeling constructs involving function-call subsystems. You can disable this diagnostic by setting the Invalid FcnCall Connection parameter on the **Diagnostics** pane of the **Simulation Parameters** dialog box to none or warning.

Known Software Problems

This section updates the Simulink 4.1 documentation set, reflecting known Simulink 4.1 software problems.

Accelerator Mode Does Not Support Inline Parameters

Accelerator mode does not support the **Inline parameters** option on the **Advanced** pane of the **Simulation Parameters** dialog box. Block outputs may appear at different times in accelerated mode than they do when the model is running in normal mode with the **Inline parameters** option selected.

Turn the New Wrap Lines Option Off

The MATLAB Command Window has a new **Wrap lines** option. Many Simulink error messages are very long. This can cause some display problems. Therefore, when using Simulink, you should turn the **Wrap lines** option off using the **Preferences** setting. For more information on this issue, see the Technical Support Solution 29082 from the MathWorks Web page.

Simulink 4.0 Release Notes

| | |
|--|------|
| New Features | 6-2 |
| Simulink Editor | 6-2 |
| Modeling Enhancements | 6-5 |
| Simulink Debugger | 6-6 |
| Block Library | 6-6 |
| SB2SL | 6-9 |
| | |
| Upgrading from an Earlier Release | 6-10 |
| Port Name Property | 6-10 |

New Features

This section introduces the new features and enhancements added in Simulink 4.0 since Simulink 3.0 (Release 11.0).

This section about new Simulink features is organized into the following subsections:

- “Simulink Editor” on page 7-2
- “Modeling Enhancements” on page 7-5
- “Simulink Debugger” on page 7-6
- “Block Library” on page 7-6
- “SB2SL” on page 7-9

Simulink Editor

This section describes enhancements to the Simulink Editor.

Preferences

The Simulink **Preferences** dialog box allows you to specify default settings for many options (see “Setting Simulink Preferences” in Using Simulink).

Text Alignment

Simulink 4.0 allows you to choose various alignments for annotation text. To choose an alignment for an annotation, select the annotation and then select **Text Alignment** from the editor menubar or context (right-click) menu (see “Annotations” in Using Simulink).

UNIX Context Menus

The UNIX version of Simulink 4.0 now has context menus for block diagrams. Click the right button on your mouse to display the menu.

Library Link Enhancements

Simulink 4.0 optionally displays an arrow in each block that represents a library link in a model. Simulink 4.0 also allows you to modify a link in a model and propagate the changes back to the library (see “Modifying a Linked Subsystem” in Using Simulink).

Note Simulink displays “Parameterized Link” on the parameter dialog box of a masked subsystem whose parameters differ from the library reference block to which the masked subsystem is linked. This feature, which is not documented in *Using Simulink*, allows you to determine quickly whether a library link differs from its reference.

Find Dialog Box

The **Find** dialog box enables you to search Simulink models and Stateflow charts for objects that satisfy specified search criteria. You can use the dialog box to find annotations, blocks, signals, states, state transitions, etc. To invoke the **Find** dialog, select **Find** from the Simulink **Edit** menu (see “Searching for Objects” in *Using Simulink*).

Model Browser

The Model Browser’s toolbar includes the following new buttons:

- Show Library Links
Shows library links as nodes in the browser tree.
- Look Under Masks
Shows the contents of masked blocks as nodes in the browser tree.

Single Window Mode

Simulink now provides two modes for opening subsystems. In multiwindow mode, Simulink opens each subsystem in a new window. In single-window mode, Simulink closes the parent and opens the subsystem (see “Window Reuse” in *Using Simulink*).

Keyboard Navigation

Simulink 4.0 provides the following new keyboard shortcuts.

| Key | Action |
|------------------|--|
| Tab | Selects the next block in the block diagram. |
| Shift+Tab | Selects the previous block in the block diagram. |

| Key | Action |
|-----------------|--|
| Ctrl+Tab | Cycles between the browser tree pane and the diagram pane when the model browser is enabled. |
| Enter | Opens the currently selected subsystem. |
| Esc | Opens the parent of the current subsystem. |

Enhanced Library Browser

The Library Browser incorporates the following new features:

- Blocks no longer appear as browser tree nodes. Instead, they appear as icons in the preview pane.
- The preview pane has moved from beneath the library tree pane to beside the tree pane. You can create instances of blocks displayed in the preview pane by dragging them from the preview pane and dropping them in a model.
- Splitter bars now divide the browser's panes, allowing the panes to be independently resized.
- Double-clicking a block's icon opens the block's parameter dialog box with all fields disabled. This allows you to inspect, but not modify, a library block's parameters.
- Double-clicking a library block opens the library in the preview pane.
- You can now insert a block in the topmost model on your screen by right-clicking the block in the preview pane and selecting **Insert in...** from the context menu that appears. If no model is open or the topmost model is a locked library, the Library Browser offers to create a model in which to insert the block.
- The browser now contains a menu with **File**, **Edit**, and **Help** options.
- The block help text pane has moved from the bottom of the Library Browser to the top.
- Selecting **Find** from the Library Browser's **Edit** menu displays a modeless **Find** dialog box.
- The browser's search feature is much faster and supports regular expressions.

Help Menus

Simulink 4.0 adds a Help menu to the menu bar on model and library windows. The help item on a block context menu displays a help page for the block. The help item on the model context menu displays the first page of the Using Simulink book.

Modeling Enhancements

Hierarchical Variable Scoping

This release extends the ability of Simulink to resolve references to variables in masked subsystems. Previously Simulink could resolve references only to variables in a block's local workspace. With this release, Simulink will resolve references to variables located anywhere within the workspace hierarchy containing the block (see "The Mask Workspace" in *Using Simulink*).

Note In some cases, hierarchical scoping will cause some models to behave differently in the current release than in previous releases of Simulink.

Matrix Signals

Many Simulink blocks can now accept or output matrix signals. A matrix signal is a two-dimensional array of signal elements represented by a matrix. Each matrix element represents the value of the corresponding signal element at the current time step. In addition to matrix signals, Simulink also supports scalar (dimensionless) signals and vector signals (one-dimensional arrays of signals). Simulink can optionally thicken (select **Wide Lines** from the **Format** menu) and display the dimensions of lines (select **Line Dimensions** from the **Format** menu) that carry vector or matrix signals. When you select the **Line Dimensions** option, Simulink displays a label of the form $[r \times c]$ above a matrix signal line, where r is the number of rows and c is the number of columns. For example, the label $[2 \times 3]$ indicates that the line carries a two-row by three-column matrix signal.

You can use Simulink source blocks, such as a Sine Wave or a Constant block, to generate matrix signals. For example, to create a time-invariant matrix signal, insert a Constant block in your model and set its Constant Value parameter to any MATLAB expression that evaluates to a matrix, e.g., $[1 \ 2;$

3 4], that represents the desired signal. See “Working with Signals” in Using Simulink for more information.

Simulink Data Objects

Simulink data objects allow a model to capture user-defined information about parameters and signals, such as minimum and maximum values, units, and so on (see “Working with Data Objects” in Using Simulink).

Block Execution Order

Simulink now optionally displays the execution order of each block on the model’s block diagram (see “Displaying Block Execution Order” in Using Simulink).

Simulink Debugger

This section describes enhancements to the Simulink debugger.

GUI Debugger Interface

Simulink 4.0 introduces a graphical user interface (GUI) for the Simulink Debugger. For more information, see “Simulink Debugger” in the online help for Simulink (see “Simulink Debugger” in Using Simulink).

Block Library

This section describes enhancements to the Simulink block libraries.

Product Block

The Product block now supports both element-by-element and matrix multiplication and inversion of inputs. The block’s parameter dialog includes a new **Multiplication** parameter that allows you to specify whether the block should multiply or invert inputs element-by-element or matrix-by-matrix.

Gain Block

The Gain block now supports matrix as well as element-wise multiplication of the input signal by a gain factor. Both input signals and gain factors can be matrices. The block’s parameter dialog includes a new **Multiplication** parameter that allows you to choose the following options:

- $K \cdot u$ (element-wise product)

-
- $K*u$ (matrix product with the gain as the left operand)
 - $u*K$ (matrix product with the gain as the right operand)

Math Function Block

The Math Function block adds two new matrix-specific functions: transpose and Hermitian. The first function outputs the transpose of the input matrix. The second function outputs the complex conjugate transpose (Hermitian) of the input matrix.

Reshape Block

Simulink 4.0 introduces the Reshape block, which changes the dimensionality of its input signals, based on an **Output dimensionality** parameter that you specify. For example, the block can change an n-element vector to a 1-by-N or N-by-1 matrix signal and vice versa. You can find the Reshape block in the Simulink Signals & Systems library.

Multiplexing Matrix Signals

The Simulink Mux, Demux, and Bus Selector blocks have been enhanced to support multiplexing of matrix signals.

Function Call Iteration Parameter

Simulink 4.0 adds a **Number of iterations** parameter to the Function Call Generator block. This parameter allows you to specify the number of times the target block is called per time step.

Probing Signal Dimensionality

The Probe block now optionally outputs the dimensionality of the signal connected to its input.

Configurable Subsystem

The Configurable Subsystem block has been reimplemented to make it easier to use. The configurable subsystem block now has a **Blocks** menu that allows you to choose which block the subsystem represents. To display the menu, select the configurable subsystem and then **Blocks** from the Simulink editor's **Edit** or context (right click) menu.

Look-Up Table Blocks

This release provides four new Look-Up Table (LUT) blocks.

- Direct Look-Up Table (n-D)
- Look-Up Table (n-D)
- Prelook-Up Index Search
- Interpolation (n-D) Using PreLook-Up

The blocks reside in the Simulink Functions and Tables block library.

Polynomial Block

The Polynomial block outputs a polynomial function of its input. The block resides in the Simulink Functions and Tables block library.

Signal Specification

The Signal Specification block allows you to specify the attributes that the input signal must satisfy. If the input signal does not meet the specification, the block generates an error.

ADA S-Functions

Simulink now supports S-functions coded in ADA. See “Creating Ada S-Functions” in *Writing S-Functions* for more information.

Bitwise Logical Operator Block

The Bitwise Logical Operator block is a new block that logically masks, inverts, or shifts the bits of an unsigned integer signal. See the online Simulink documentation for details.

Atomic Subsystems

Simulink 4.0 allows you to designate subsystems as *atomic* as opposed to *virtual*. An *atomic subsystem* is a true subsystem. When simulating a model, Simulink executes all blocks contained by an atomic subsystem block before executing the next block of the containing model (or atomic subsystem).

By declaring a subsystem atomic, you guarantee that Simulink completes execution of the subsystem before executing any other blocks at the same level in the model hierarchy. See “Atomic Versus Virtual Subsystems” in *Using Simulink* for more information.

Note Conditionally executed subsystems are inherently atomic. Simulink does not allow you to specify them as atomic or virtual.

SB2SL

SB2SL Extends Code Generation Support

SB2SL, which is included as part of Simulink, allows you to translate SystemBuild SuperBlocks to Simulink models.

For Release 12, SB2SL 2.1 has been enhanced to provide more complete support for use with the Real-Time Workshop. If you use the Real-Time Workshop 4.0 to generate code for models you have converted from SystemBuild to Simulink (using SB2SL), then code is generated for most translated blocks in the model.

The blocks that do *not* support code generation through the Real-Time Workshop 4.0 are:

- ConditionBlock
- Decoder
- Encoder
- GainScheduler
- Interp Table (Archive library)
- ShiftRegister

Note SB2SL 2.1 also includes a number of important bug fixes.

Upgrading from an Earlier Release

This section describes the upgrade issues involved in moving from Simulink 3.0 (Release 11.0) to Simulink 4.0.

Port Name Property

In previous releases, the name property of ports and lines referred to the label of the line connected to the port. In the current release, a port's name property refers to the port's (and line's) name, which, in the current release, can differ from the line's label. If you need to get the line's label, invoke

```
get_param(p, 'label')
```

where p is the handle of the port.